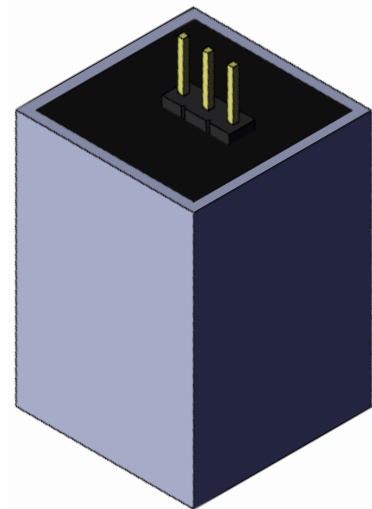
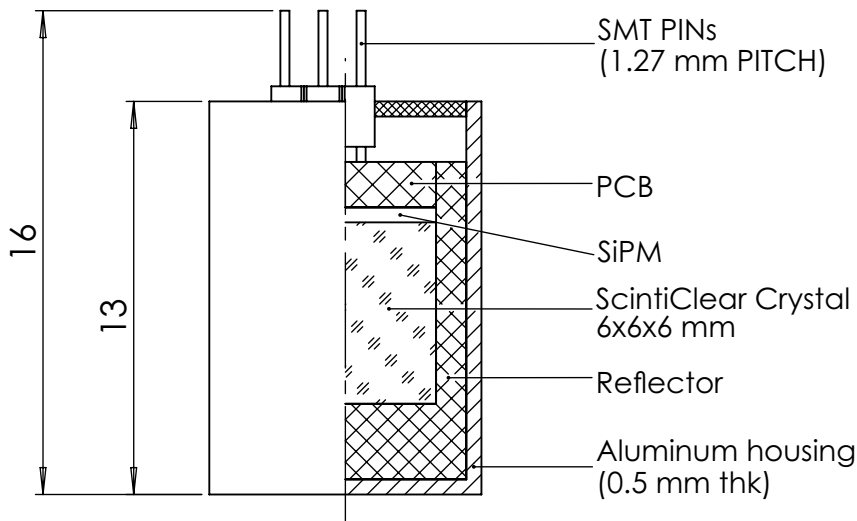


SCALE 4:1



SCALE 4:1

PROPRIETARY AND CONFIDENTIAL  
 THE INFORMATION CONTAINED IN THIS  
 DRAWING IS THE SOLE PROPERTY OF  
 CAPESYM, INC. ANY REPRODUCTION  
 IN PART OR AS A WHOLE WITHOUT  
 THE WRITTEN PERMISSION OF  
 CAPESYM, INC. IS PROHIBITED.

|             |         |   |           |      |          |
|-------------|---------|---|-----------|------|----------|
|             |         | DIMENSIONS ARE IN MM<br>TOLERANCES:<br>FRACTIONAL $\pm$<br>ANGULAR: MACH $\pm$ BEND $\pm$<br>TWO PLACE DECIMAL $\pm$<br>THREE PLACE DECIMAL $\pm$ |           | NAME | DATE     |
|             |         |   | DRAWN     | AN   | 01/15/21 |
|             |         |   | CHECKED   | IK   | 01/15/21 |
|             |         |   | ENG APPR. |      |          |
|             |         | MATERIAL  |           |      |          |
|             |         | FINISH  |           |      |          |
|             |         | DO NOT SCALE DRAWING  |           |      |          |
| NEXT ASSY   | USED ON |   |           |      |          |
| APPLICATION |         |   |           |      |          |
|             |         |   | COMMENTS: |      |          |

**CapeScint.com**

ScintiClear  
 SC-6x6c-SiPM  
 Detector assembly

|            |             |              |
|------------|-------------|--------------|
| SIZE       | DWG. NO.    | REV.         |
| A          |             | 1            |
| SCALE: 4:1 | WEIGHT: 3 g | SHEET 1 OF 1 |