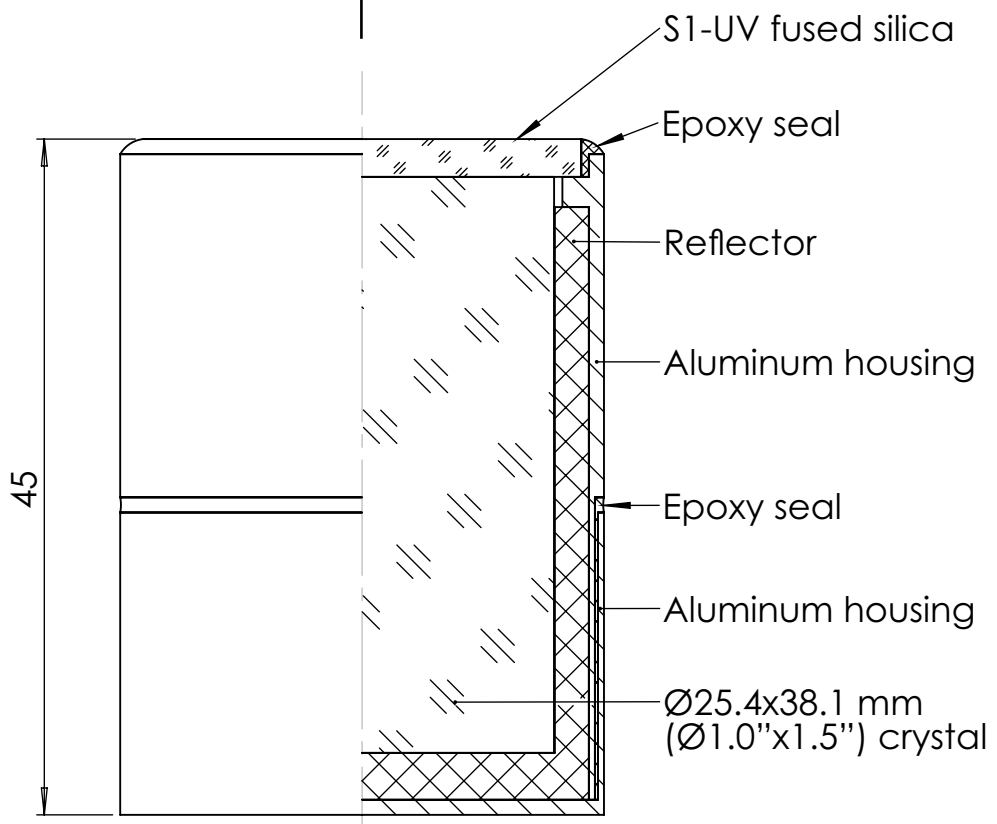


SCALE 1:1



SECTION A-A

PROPRIETARY AND CONFIDENTIAL
 THE INFORMATION CONTAINED IN THIS
 DRAWING IS THE SOLE PROPERTY OF
 CAPESYM, INC. ANY REPRODUCTION
 IN PART OR AS A WHOLE WITHOUT
 THE WRITTEN PERMISSION OF
 CAPESYM, INC. IS PROHIBITED.

		DIMENSIONS ARE IN MM TOLERANCES: FRACTIONAL ± ANGULAR: MACH ± BEND ± TWO PLACE DECIMAL ± THREE PLACE DECIMAL ±	NAME	DATE	CapeScint.com Scintillation Crystal CsI-25x38	
			DRAWN	AN		11/20/20
			CHECKED	IK		11/20/20
			ENG APPR.			
			MFG APPR.			
		MATERIAL	Q.A.			
		FINISH	COMMENTS:			
NEXT ASSY	USED ON	DO NOT SCALE DRAWING			SIZE DWG. NO. REV. A 1	
APPLICATION			SCALE: 2:1	WEIGHT: 110 g	SHEET 1 OF 1	