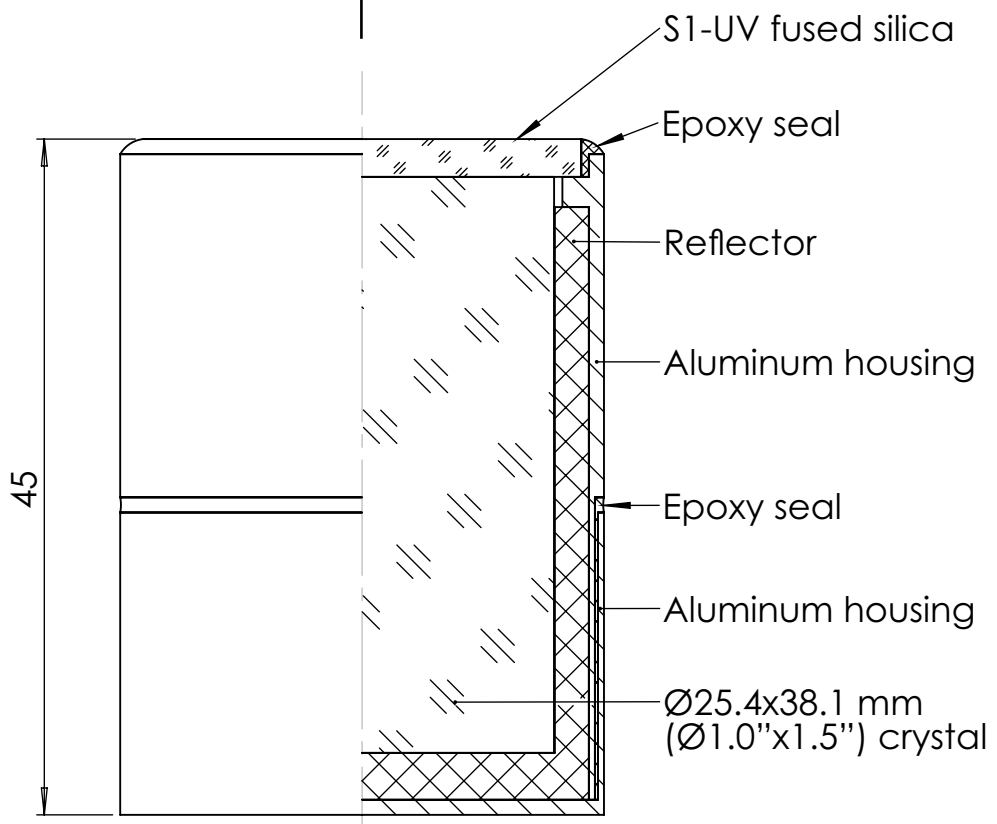


SCALE 1:1



SECTION A-A

PROPRIETARY AND CONFIDENTIAL
 THE INFORMATION CONTAINED IN THIS
 DRAWING IS THE SOLE PROPERTY OF
 CAPESYM, INC. ANY REPRODUCTION
 IN PART OR AS A WHOLE WITHOUT
 THE WRITTEN PERMISSION OF
 CAPESYM, INC. IS PROHIBITED.

| | | | | | |
|-------------|----------------------|---|-----------|----------|--|
| | | DIMENSIONS ARE IN MM TOLERANCES: FRACTIONAL ± ANGULAR: MACH ± BEND ± TWO PLACE DECIMAL ± THREE PLACE DECIMAL ± | NAME | DATE | CapeScint.com Scintillation Crystal NaI-25x38 |
| | DRAWN | | AN | 11/20/20 | |
| | CHECKED | | IK | 11/20/20 | |
| | ENG APPR. | | | | |
| | MFG APPR. | | | | |
| | | MATERIAL | Q.A. | | |
| | | FINISH | COMMENTS: | | |
| NEXT ASSY | USED ON | | | | SIZE DWG. NO. REV. A A 1 |
| APPLICATION | DO NOT SCALE DRAWING | | | | SCALE: 2:1 WEIGHT: 95 g SHEET 1 OF 1 |