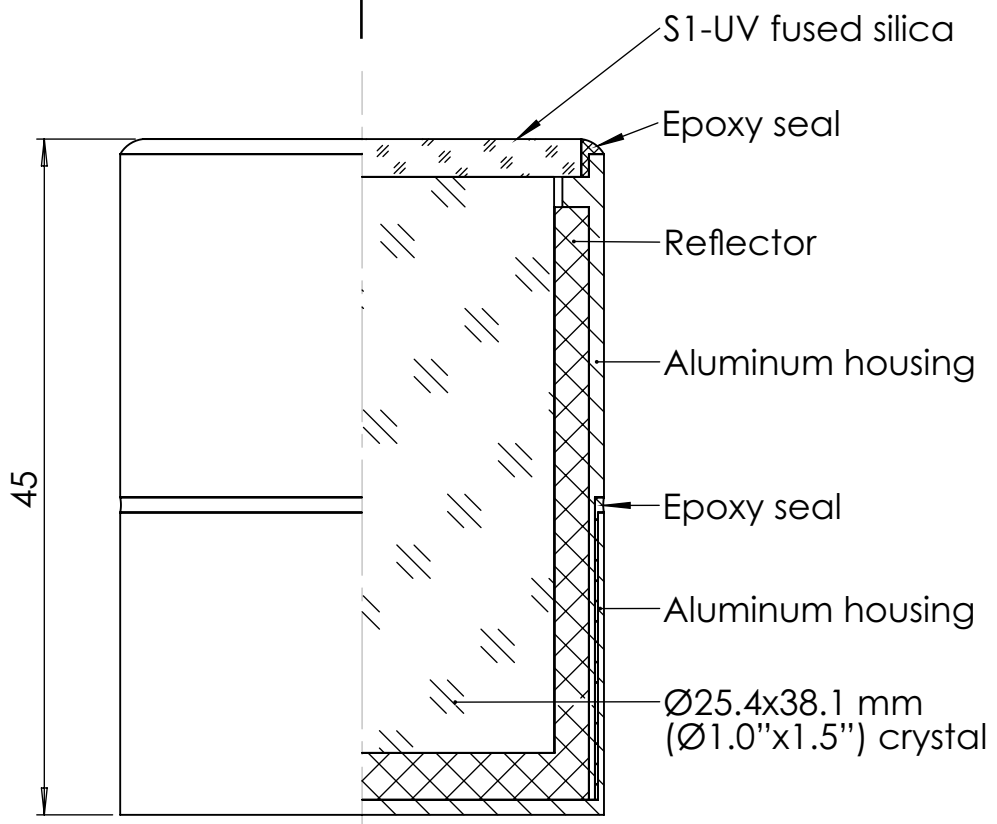


SCALE 1:1



SECTION A-A

PROPRIETARY AND CONFIDENTIAL
 THE INFORMATION CONTAINED IN THIS
 DRAWING IS THE SOLE PROPERTY OF
 CAPESYM, INC. ANY REPRODUCTION
 IN PART OR AS A WHOLE WITHOUT
 THE WRITTEN PERMISSION OF
 CAPESYM, INC. IS PROHIBITED.

		DIMENSIONS ARE IN MM TOLERANCES: FRACTIONAL ± ANGULAR: MACH ± BEND ± TWO PLACE DECIMAL ± THREE PLACE DECIMAL ±	NAME	DATE	CapeScint.com Scintillation Crystal SC-25x38		
			DRAWN	AN 11/20/20			
			CHECKED	IK 11/20/20			
			ENG APPR.				
			MFG APPR.				
		MATERIAL	Q.A.		SIZE	DWG. NO.	REV.
NEXT ASSY	USED ON	FINISH	COMMENTS:		A		1
APPLICATION		DO NOT SCALE DRAWING		SCALE: 2:1		WEIGHT: 110g	SHEET 1 OF 1