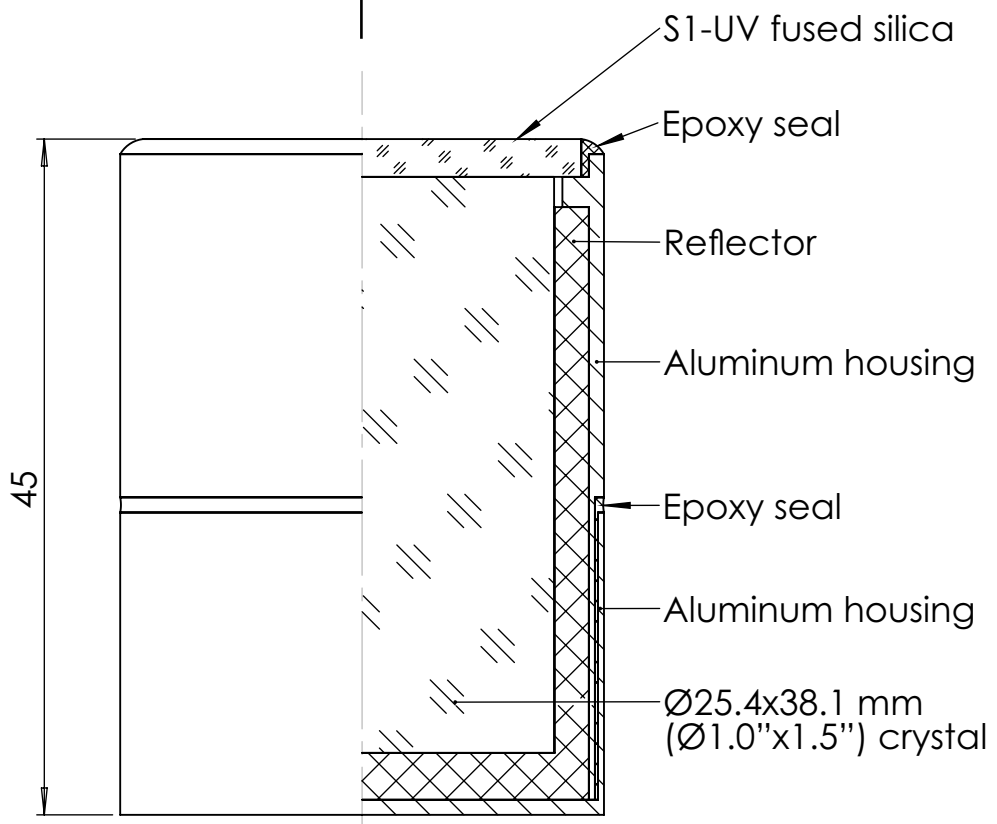


SCALE 1:1



SECTION A-A

PROPRIETARY AND CONFIDENTIAL
 THE INFORMATION CONTAINED IN THIS
 DRAWING IS THE SOLE PROPERTY OF
 CAPESYM, INC. ANY REPRODUCTION
 IN PART OR AS A WHOLE WITHOUT
 THE WRITTEN PERMISSION OF
 CAPESYM, INC. IS PROHIBITED.

		DIMENSIONS ARE IN MM TOLERANCES: FRACTIONAL ± ANGULAR: MACH ± BEND ± TWO PLACE DECIMAL ± THREE PLACE DECIMAL ±	NAME	DATE	CapeScint.com Scintillation Crystal nEL-25x38
			DRAWN	AN 11/20/20	
			CHECKED	IK 11/20/20	
			ENG APPR.		
			MFG APPR.		
		MATERIAL	Q.A.		SIZE DWG. NO. REV. A A 1
NEXT ASSY	USED ON	FINISH	COMMENTS:		
APPLICATION		DO NOT SCALE DRAWING			
			SCALE: 2:1	WEIGHT: 90 g	SHEET 1 OF 1